

Millennium E012G1L

Progressive Cavity Pump

Features

- * Low Shear
- * Solids Handling up to 50%
- * Hardened Joints
- * Packing or Mechanical Seal
- * 3-Stage Options
- * Steel or Stainless Steel

Pump Description

The Liberty Millennium Series E012G1L Heavy Duty Progressive Cavity Pump is ideal for high viscosity liquids and heavy waste solids and other abrasive pumping applications such polymer feed in water treatment facilities. The E012G1L's flow rate of 12 gallons/100 revolutions @ 0 to 54 GPM coupled to its high temperature resistance of up to 350° degrees Fahrenheit makes it an ideal solution for your industrial heavy-duty pumping needs.

The E012G1L is a standard ANSI flanged pump design manufactured with high strength cast Iron or 316 Stainless Steel pump casings and designed in 1, 2 and up to 4 stages for 85, 170, 350 psi discharge pressures making it an ideal low-cost, maintenance free drop-in replacement pump. Standard suction and discharge flange size for the E012G1L is 4".

The Millennium Series low shear and gentle pumping action enables it to pump delicate fluids and not emulsify the liquid making it an ideal polymer pump or oil/water separation pump. Solids handling capability of up to up to 50% by weight allows even the toughest application to be pumped. The Millennium's modular design comes with a positively sealed, hardened gear joint assembly, hardened tool steel rotors or stainless steel rotors both with hard chrome plating for long-life pumping and a wide selection of stators in Buna Nitrile, Viton, EPDM and Natural Rubber.

All other wetted parts are either carbon steel or 316 stainless steel. The standard seal design is a set of packing with a Lantern Ring and flush connectors. Mechanical seal options are readily available.

Contact a Liberty Process Equipment Representative today for more information about the Millennium E012G1L Series of Progressive Cavity Pumps for polymer feed in waste treatment.

Materials

Rotor: *Chrome-Plated Tool Steel or Stainless Steel*

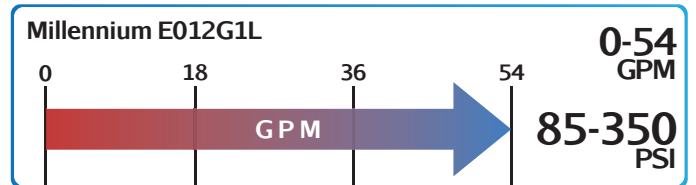
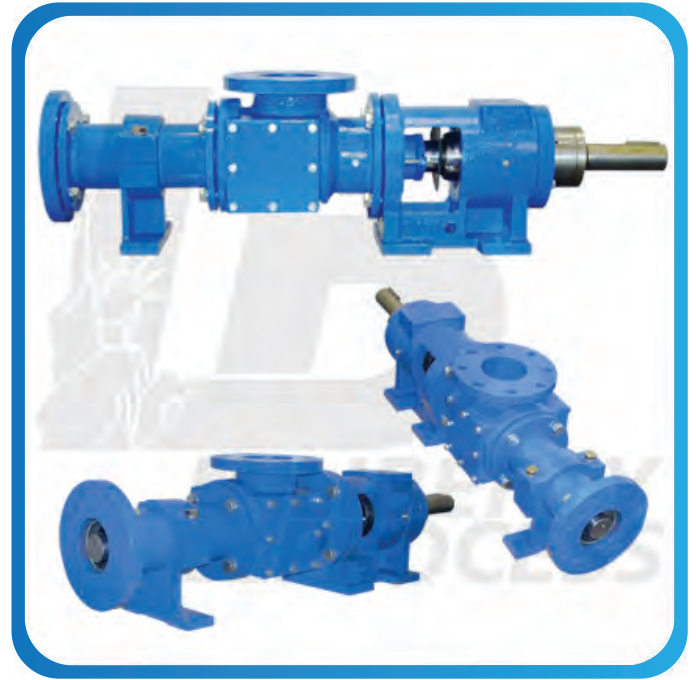
Stator: *Buna Nitrile, Natural Rubber, Viton™, EPDM*

Motor: *1 - 5 hp*

Inlet: *4"*

Outlet: *4" - ANSI Flange*

Bases: *Steel and Stainless Steel*



Curves



Single Stage



Double Stage

Please Click the Icon

Drawings



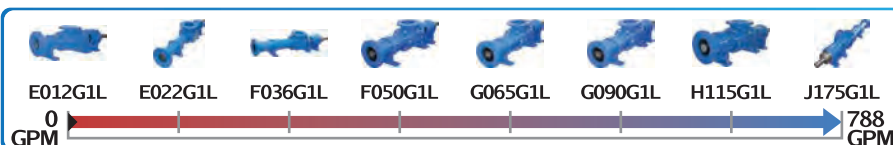
Single Stage



Double Stage

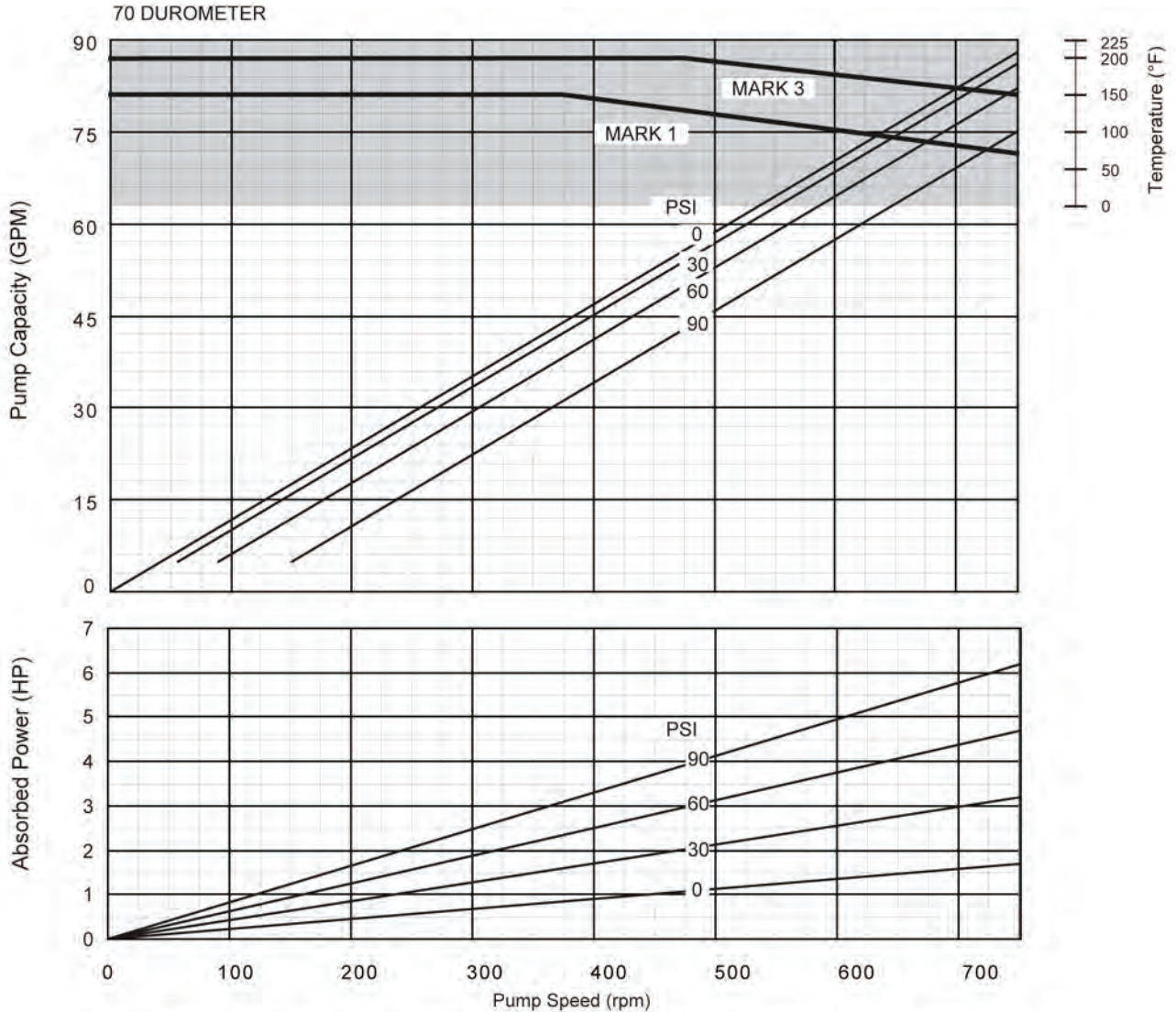
Please Click the Icon

Click To Visit www.libertyprocess.com >>



Liberty Process Equipment, Inc.
2525 S Clearbrook Dr.
Arlington Heights, IL 60005-4623
P-(847) 640-7867
F-(847) 640-7855
sales@libertyprocess.com

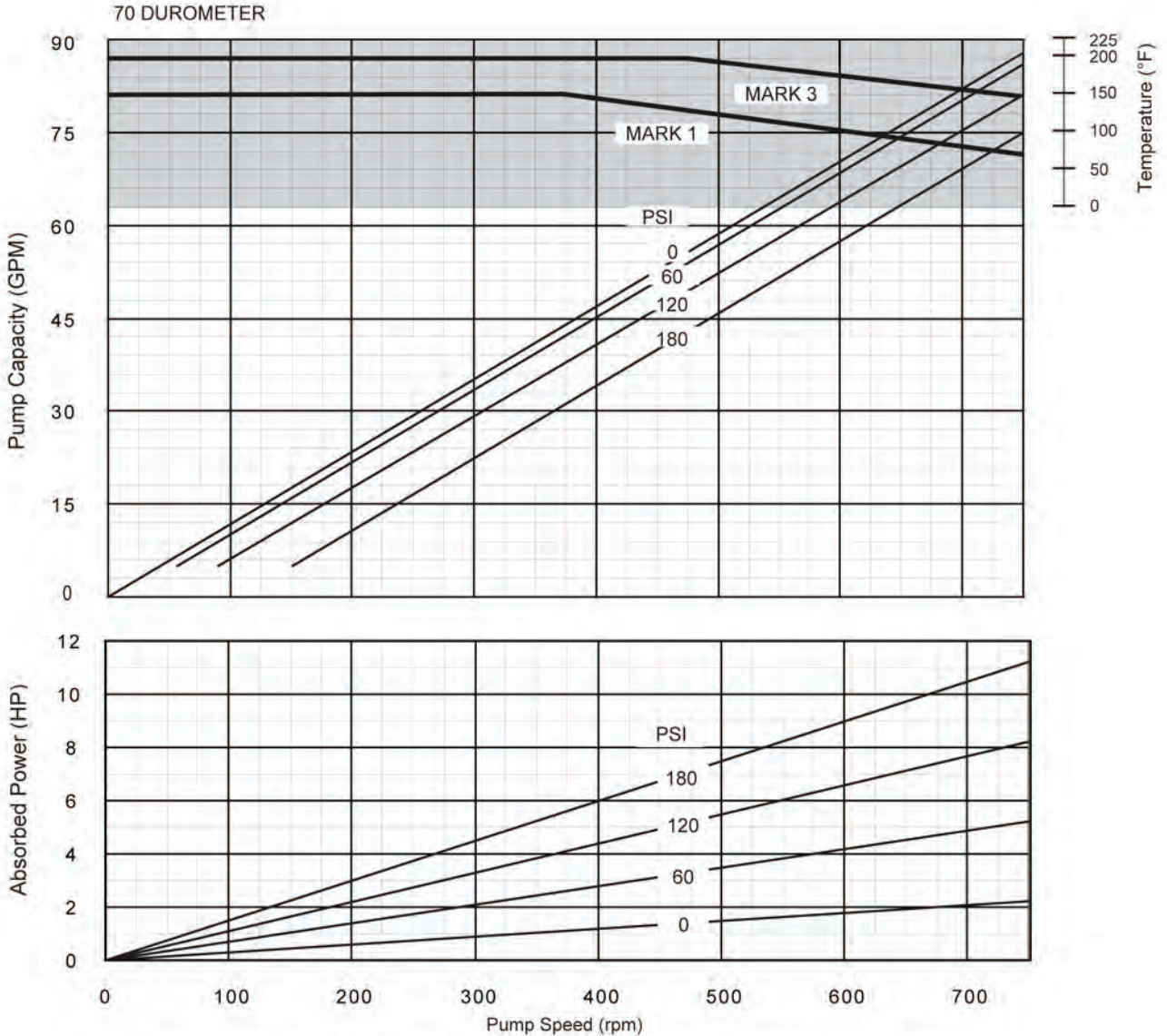
Millennium 1E012G1L



Published information other than that marked certified is to be used as a guide only



Millennium 2E012G1L

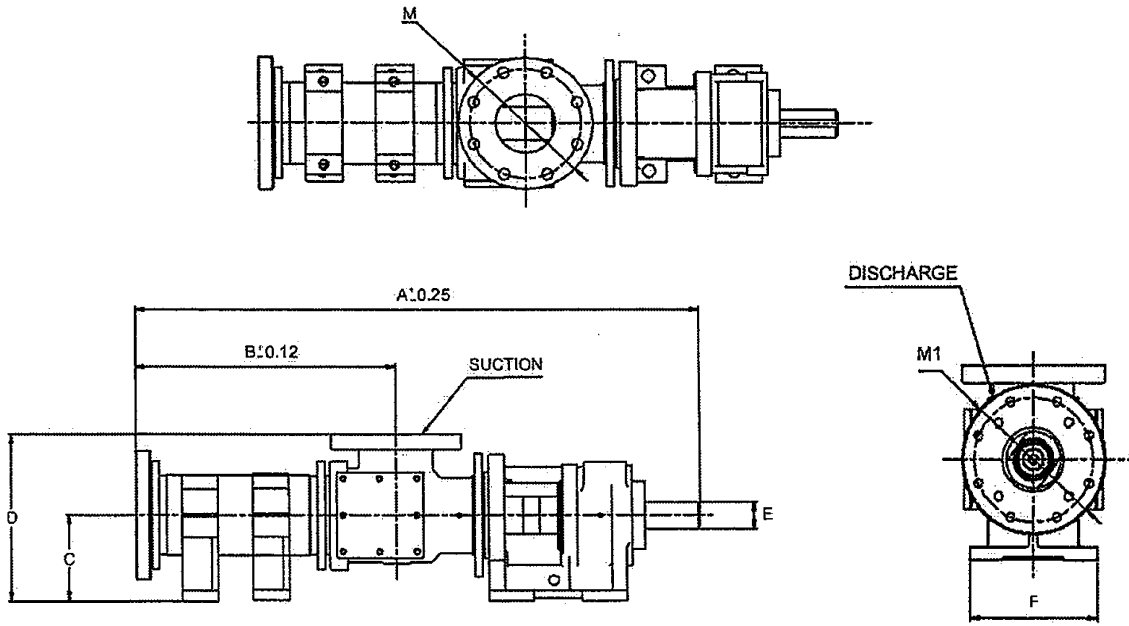


Published information other than that marked certified is to be used as a guide only





Millennium Pump Series – Dimension Sheet

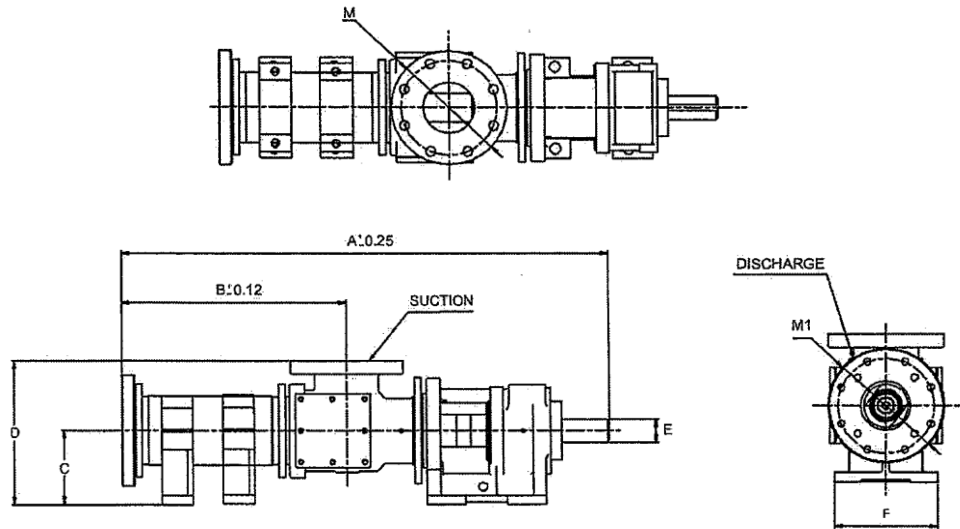


Model	Standard Pump Dimensions						Suction		Discharge		Approx Weight
	A	B	C	D	E	F	Size	M	Size	M1	
1E012G1L	42	16	6	12	2	8	4	9	4	9	300
2E012G1L	53	27	6	12	2	8	4	9	4	9	325
1E022G1L	43	17	6	13	2	8	6	11	6	11	330
2E022G1L	56	30	6	13	2	8	6	11	6	11	370
1F036G1L	49	20	7	14	2	10	6	11	6	11	490
2F036G1L	49	34	7	14	2	10	6	11	6	11	560
1F050G1L	54	25	7	14	2	10	6	11	6	11	520
2F050G1L	74	45	7	14	2	10	6	11	6	11	610
1G065G1L	57	24	9	18	2	12	8	14	8	14	760
2G065G1L	75	42	9	18	2	12	8	14	8	14	882
1G090G1L	64	30	9	18	2	12	8	14	8	14	805
2G090G1L	89	56	9	18	2	12	8	14	8	14	960
1H115G1L	67	31	11	20	3	15	8	14	8	14	1110
2H115G1L	90	54	11	20	3	15	8	14	8	14	1185
1J175G1L	75	34	11	22	3	15	10	16	10	16	1555
2J175G1L	101	61	11	22	3	15	10	16	10	16	1840

*All listed dimensions in inches



Millennium Pump Series – Dimension Sheet



Model	Standard Pump Dimensions						Suction		Discharge		Approx Weight
	A	B	C	D	E	F	Size	M	Size	M1	
1E012G1L	42	16	6	12	2	8	4	9	4	9	300
2E012G1L	53	27	6	12	2	8	4	9	4	9	325
1E022G1L	43	17	6	13	2	8	6	11	6	11	330
2E022G1L	56	30	6	13	2	8	6	11	6	11	370
1F036G1L	49	20	7	14	2	10	6	11	6	11	490
2F036G1L	49	34	7	14	2	10	6	11	6	11	560
1F050G1L	54	25	7	14	2	10	6	11	6	11	520
2F050G1L	74	45	7	14	2	10	6	11	6	11	610
1G065G1L	57	24	9	18	2	12	8	14	8	14	760
2G065G1L	75	42	9	18	2	12	8	14	8	14	882
1G090G1L	64	30	9	18	2	12	8	14	8	14	805
2G090G1L	89	56	9	18	2	12	8	14	8	14	960
1H115G1L	67	31	11	20	3	15	8	14	8	14	1110
2H115G1L	90	54	11	20	3	15	8	14	8	14	1185
1J175G1L	75	34	11	22	3	15	10	16	10	16	1555
2J175G1L	101	61	11	22	3	15	10	16	10	16	1840

**All listed dimensions in inches*