

ANBPL 3.2

Progressive Cavity Pump for Metering & Dosing

Features

- * Rugged Design
- * 1" NPTF
- * Non-Pulsating Flow
- * 316 Stainless Steel Optional
- * PTFE Stators Available
- * Corrosion Resistant

Pump Description

The ANBPL 3.2 Series is a rugged series of medium sized progressive cavity metering pumps available immediately from our inventory at Liberty process Equipment. This pump is an ideal addition to the sewage treatment industry for polymer feed systems. This pump is rated up to 2.5 GPM and at discharge pressures up to 175 psi in our 4 range design. All Pumps are offered in cast iron or standard 316 Stainless Steel. All Pumps are offered with our standard 1" NPTF connections or optional 1" 150# RF Flanges. Stators are available in Buna Nitrile, Viton and also in PTFE Teflon for the highest standards in corrosion resistance.

The Close-Coupled ANBPL is a great alternative where space is a concern, offered in designs to accommodate 56C and 145TC Frame Motors. Liberty Process can offer a drive and control option to meet your needs and budget. From a simple, fixed speed motor to a DC or variable frequency drive controlled pump unit we can offer it. Liberty Process can offer a drive and control option to meet your needs and budget. From a simple, fixed speed motor to a DC or variable frequency drive controlled pump unit we can offer it.

Materials

Rotor: Chrome Plated 316 Stainless Steel

Stator: Buna, PTFE, Viton™

Motor: 1/2, 3/4, and 1 hp

Inlet: 1" NPT

Outlet: 1" NPT

Bases: Steel and Stainless Steel



ANBPL 3.2



Curves

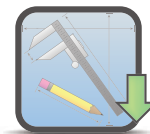
ANBPL
3.2



Please
Click
the Icon

Drawings

ANBPL
3.2

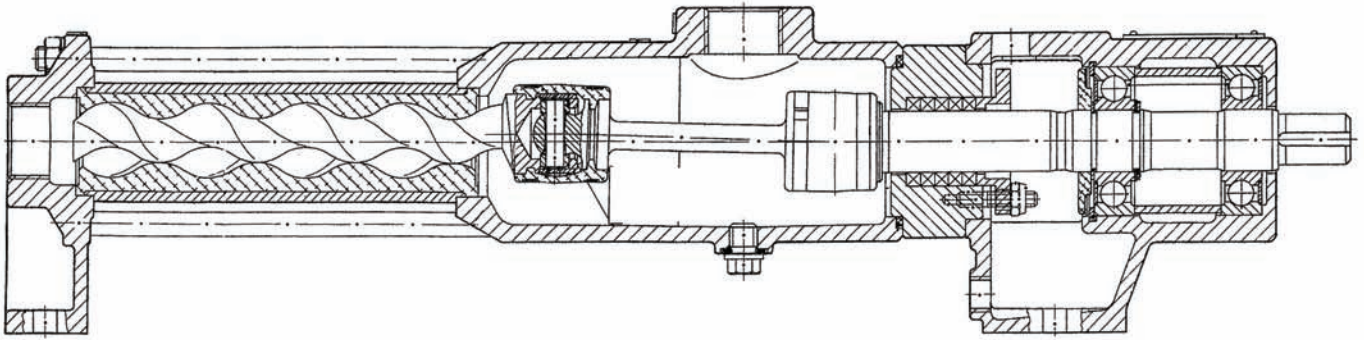


Please
Click
the Icon

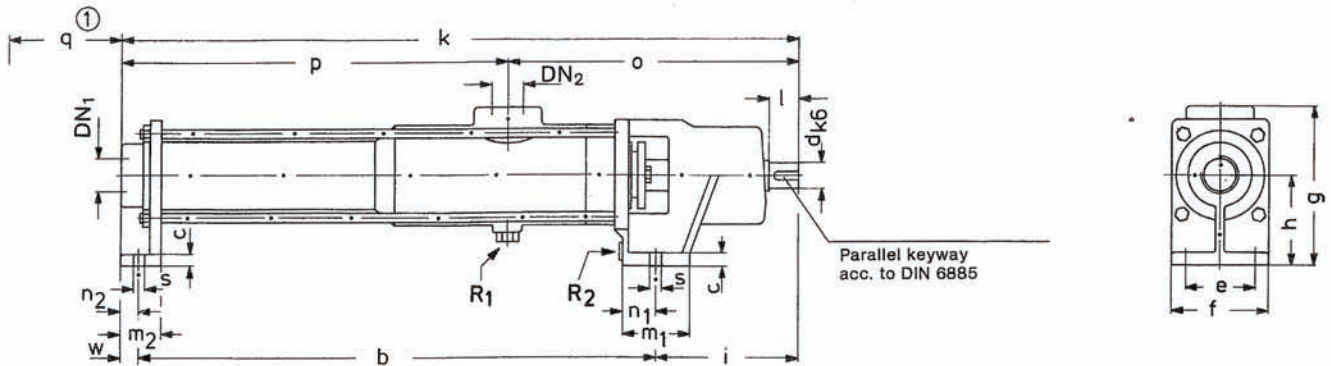
Click To Visit www.libertyprocess.com >>



Liberty Process Equipment, Inc.
2525 S Clearbrook Dr.
Arlington Heights, IL 60005-4623
P-(847) 640-7867
F-(847) 640-7855
sales@libertyprocess.com



ANBPL 3.2



Dimensions in mm.
Internal diameters of suction, discharge and auxiliary connections in inch.
The manufacturer reserves the right to make technical modifications without prior notice.

Direction of rotation:
Counterclockwise looking from the drive end is standard, in which case DN₁ = delivery connection, DN₂ = suction connection.
Opposite direction of rotation is possible in which case DN₁ = suction connection, DN₂ = delivery connection.

Pump size	Pump dimensions															Suction/Discharge connections DN ₂ /DN ₁ ②	Approx. weight in kg				
	b	c	d	e	f	g	h	i	k	l	m ₁	m ₂	n ₁	n ₂	o			p	m ₁	s	w
3.2	381								523						270	160				R 1	11
6.2	421	10	20	70	85	135	80	125	563	30	60	35	30	17	310	160		9	17	R 1	11,5
12.2	457								599						346	190				R 1 1/4	12

ANBPL 3.2

Typical Performance Curve for water at 68 Deg. F.

Size - 3

Stage(s) - 2

Starting Torque = 3.7 to 4.8 ft. lb

Max Pres. = 175 PSI

Max RPM = 1500

